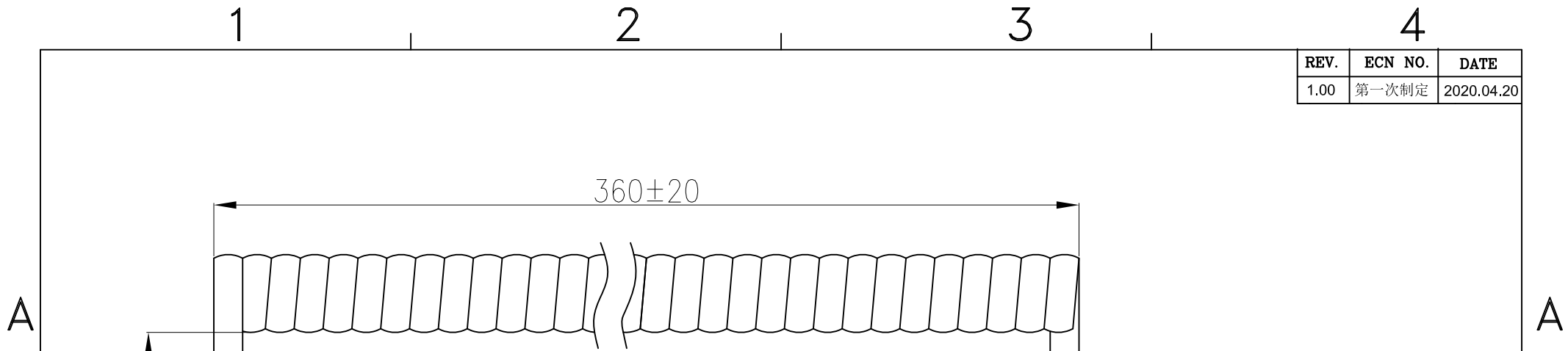


REV.	ECN NO.	DATE
1.00	第一次制定	2020.04.20



CONTACT接线

P1	Color颜色	P2
1	Black黑	4
2	Red红	3
3	Green绿	2
4	Yellow黄	1

- NOTES
- 1 Open, Short, Miswire 100% test;
 - 2 Insulation resistance: 20M Ω min/DC 500V;
 - 3 Contact resistance: 5 Ω max;
 - 4.Cable TL Plug Tensile Strength:7.7Kg Min;
 - 5.Operation temperature: -10℃~+60℃;
 - 6.Storage temperature: -10℃~+40℃ relative humidity <80%.

- 注释
- 1.100%开路、短路、错位测试;
 - 2.绝缘阻抗:最小20兆欧姆/DC500V;
 - 3.导通阻抗:最大5欧姆;
 - 4.插头与线缆之间的拉力: 最小7.7Kg;
 - 5.工作温度: -10℃~+60℃ ;
 - 6.储存温度: -10℃~+40℃ 相对湿度<80%。

RoHS Compliant

Coorle 库乐科技

TOLERANCES
0~30 ±0.15
30~ ±0.25
ANGLES: ±1°

MATERIAL: 见明细表

FINISH: 见明细表

SHEET 1 OF 1

Designed:

Checked:

Approved:

NAME: 4芯电话曲线曲长360mm, 留长50/50mm

DWG NO:

PART NO: CB25010005



A4
SIZE

SCALE
1:1

UNIT
mm

CUSTOMER:
MODEL NO:

2			
1			
NO.	DWG NO.	NAME	DESCRIPITON